

<b>Item 2: VRU SCG-14 Electric Drive Cold Weather Package</b>	<b>VRUSCG14-ELEC-CW</b>
---	-------------------------

Process Conditions	Parameter
Gas Flow (MSCFD)	250-500
Gas SG	0.8
Suction Pressure (PSIG)	0-4
Discharge Pressure PSIG)	75-150
Inlet Oil Temp (°F)	80
Altitude above Sea Level (ft)	2750

Data	Parameter
Skid Size	8'-6" x 13' Structural skid with drag bars
Estimated Weight (Empty):	7,500 lbs

Piping	
Process Piping	Welded/Flanged
Utility Piping	≤2": NPT

Paint	
Surface Prep	SSPC-SP6
Primer:	Sherwin Williams Red Oxide Primer (1.0-2.0 Mils DFT)
Top Coat:	Sherwin Williams Enamel (1.0-2.0 Mils DFT) Desert Tan

On-Skid Connection Schedule	QTY	Size	Type
Inlet	1	4"	150# RF
Process Gas Outlet	1	2"	150# RF
Process Water Outlet	1	1"	150# RF

<b>Major Equipment</b>
------------------------

Compressor	
OEM:	Boss
OEM Model:	SGC-14
Type:	1.43:1 gear set
Normal/Max Discharge Pressure:	100-150 psig/ 220 psig

Driver	
Electric Motor:	100 HP / Varidrive
Model:	Max E1 EP1004
Rating	3600 RPM / 460V / 3PH / 60Hz, TEFC

Cooler	
Type:	3 pass, 2 section (oil, gas)
Motor Rating	460/3/60 ; 5 HP
Pressure Rating	300 psig @ 300°F
• Recycle line cooler with actuated control valve and positioner	

Suction Vessel	
Type:	24" O.D. X 4'-6" S.S. x 100PSI, Coded
Operating:	10 psig @ 290°F
Design:	100 psig @ 290°F
• PSV, sight glass, suction transmitter, suction HLSD, automatic dump system	

Coalescing Filter	
Size:	12.75" O.D. X 5' S.S. x 230PSI, Coded
Operating:	100 psig @ 290°F
Design:	230 psig @ 290°F
• PSV, sight glass, filter scavenging line, BP valve, press gauge, discharge pressure transmitter	
• Replaceable filter element, diff press indicator, discharge LLC LLSD	

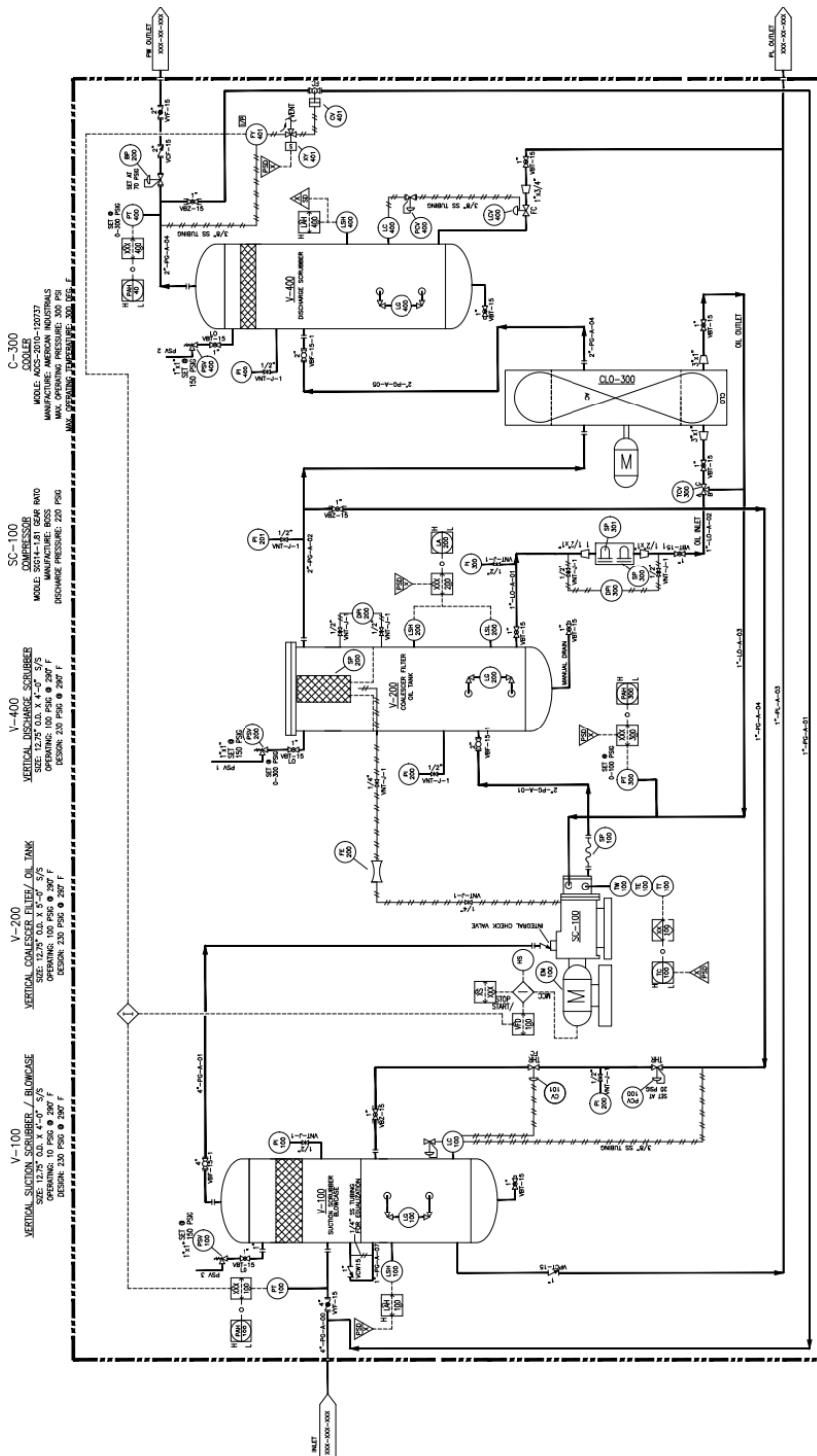
Control Panel/Wiring	
Type:	Nema 3R panel
Constant Torque VFD w/ Line reactor, main circuit breaker w/disconnect, surge protector.	
Standard Cimarron Operating System, SCADA ready, 7" touchscreen, speed control, and 12"x12" access panel.	
12" x 12" x 6" J-box for removable control panel option to meet specific area classifications if required.	
Program change to except remote monitoring, discharge temperature safety and cooler control.	
Unit is equipped with a Turck cabling system (w/single home run cable).	
<b>Note:</b> Locate panel should be moved if in hazardous area, to safe location.	

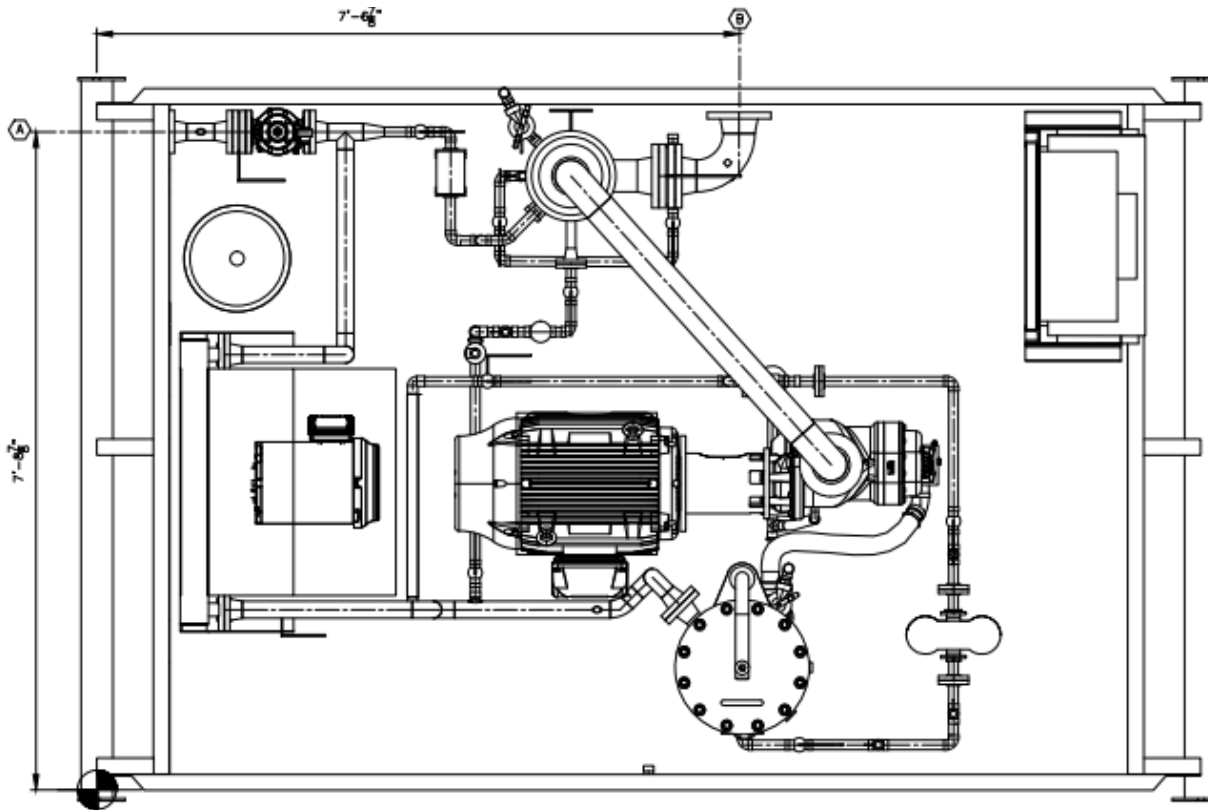
CW Enclosure	
Fiberglass or insulated metal panels, to form equipment enclosure.	
Includes windows, doors, light, and louvers, as required.	
May also have optional heater or gas sensors, as design requires.	

Other Options	Scope
Data Logger	Included
8GB Microcard	Included
30' Home Run Turck Cable	Included

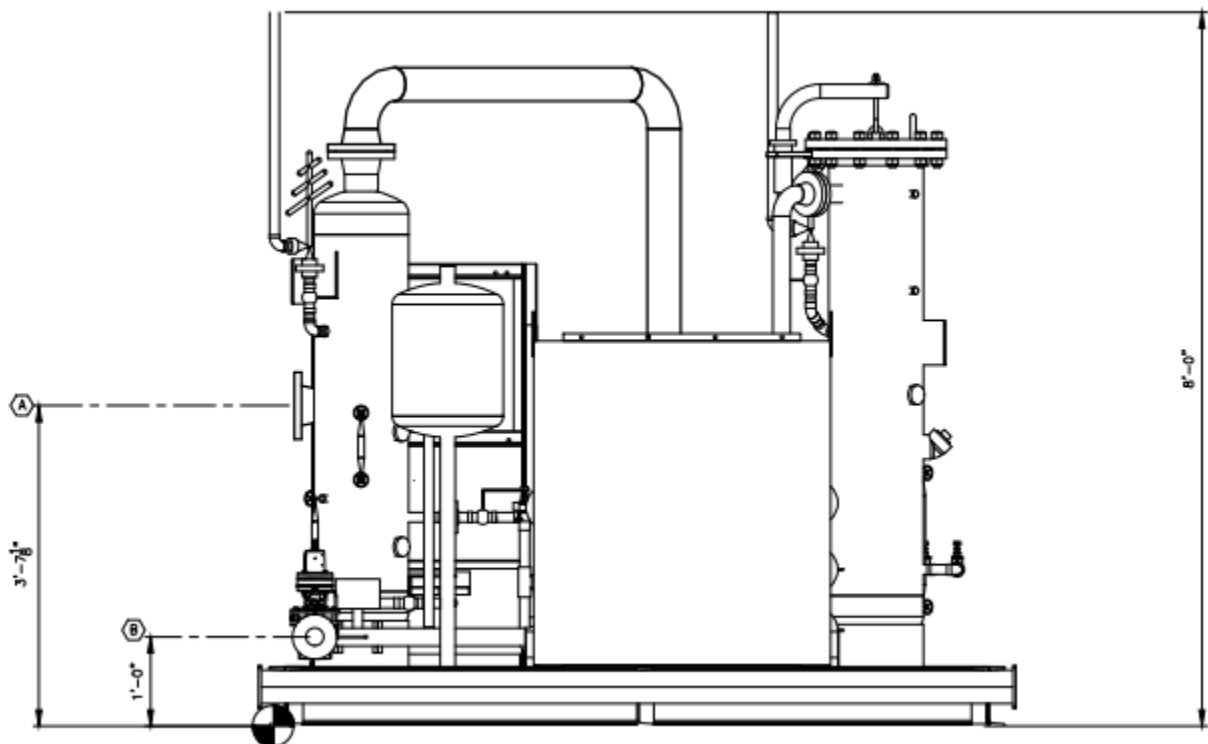
Valves/End Devices
--------------------

- (1) RTD w/Thermowell
- (1) Murphy Discharge Pressure transmitter
- (1) Murphy Oil Pressure Transmitter
- (1) 1" Three way thermostatic valve





PLAN VIEW



LEFT VIEW

Enclosed Version:





Electric Drive:

