

<b>Item 3: VRU SCG-10 Electric Drive</b>	<b>VRUSCG10ELE</b>
--	--------------------

Process Conditions	Parameter
Gas Flow (MSCFD)	100-200 MSCFD
Gas SG	0.8
Suction Pressure (PSIG)	0-4
Discharge Pressure (PSIG)	65-150
Inlet Oil Temp (°F)	80
Altitude above Sea Level (ft)	1500

Data	Parameter
Skid Size	8'-6" x 13' Structural skid with drag bars
Estimated Weight (Empty):	7,500 lbs

Piping	
Process Piping	Welded/Flanged
Utility Piping	≤2": NPT

Paint	
Surface Prep	SSPC-SP6
Primer:	Sherwin Williams Red Oxide Primer (1.0-2.0 Mils DFT)
Top Coat:	Sherwin Williams Enamel (1.0-2.0 Mils DFT) Desert Tan

On-Skid Connection Schedule	QTY	Size	Type
Inlet	1	4"	150# RF
Process Gas Outlet	1	2"	150# RF
Process Water Outlet	1	1"	150# RF

<b>Major Equipment</b>
------------------------

Compressor	
OEM:	Boss
OEM Model:	SGC-10
Type:	1.96:1 gear set
Normal/Max Discharge Pressure:	75-150 psig/ 220 psig

Driver	
Electric Motor:	60 HP / Varidrive
Model:	Max E1 EP0602
Rating	3600 RPM / 460V / 3PH / 60Hz, TEFC, Div.2

Cooler	
Type:	3 pass, 2 section (oil, gas)
Motor Rating	460/3/60 ; 5 HP
Pressure Rating	300 psig @ 300°F
• Recycle line cooler with actuated control valve and positioner	

Suction Vessel	
Type:	24" O.D. X 4'-6" S.S. x 100PSI, Coded
Operating:	10 psig @ 290°F
Design:	100 psig @ 290°F
• PSV, sight glass, suction transmitter, suction HLSD, automatic dump system	

Coalescing Filter	
Size:	12.75" O.D. X 5' S.S. x 230PSI, Coded
Operating:	100 psig @ 290°F
Design:	230 psig @ 290°F
• PSV, sight glass, filter scavenging line, BP valve, press gauge, discharge pressure transmitter	
• Replaceable filter element, diff press indicator, discharge LLC LLSD	

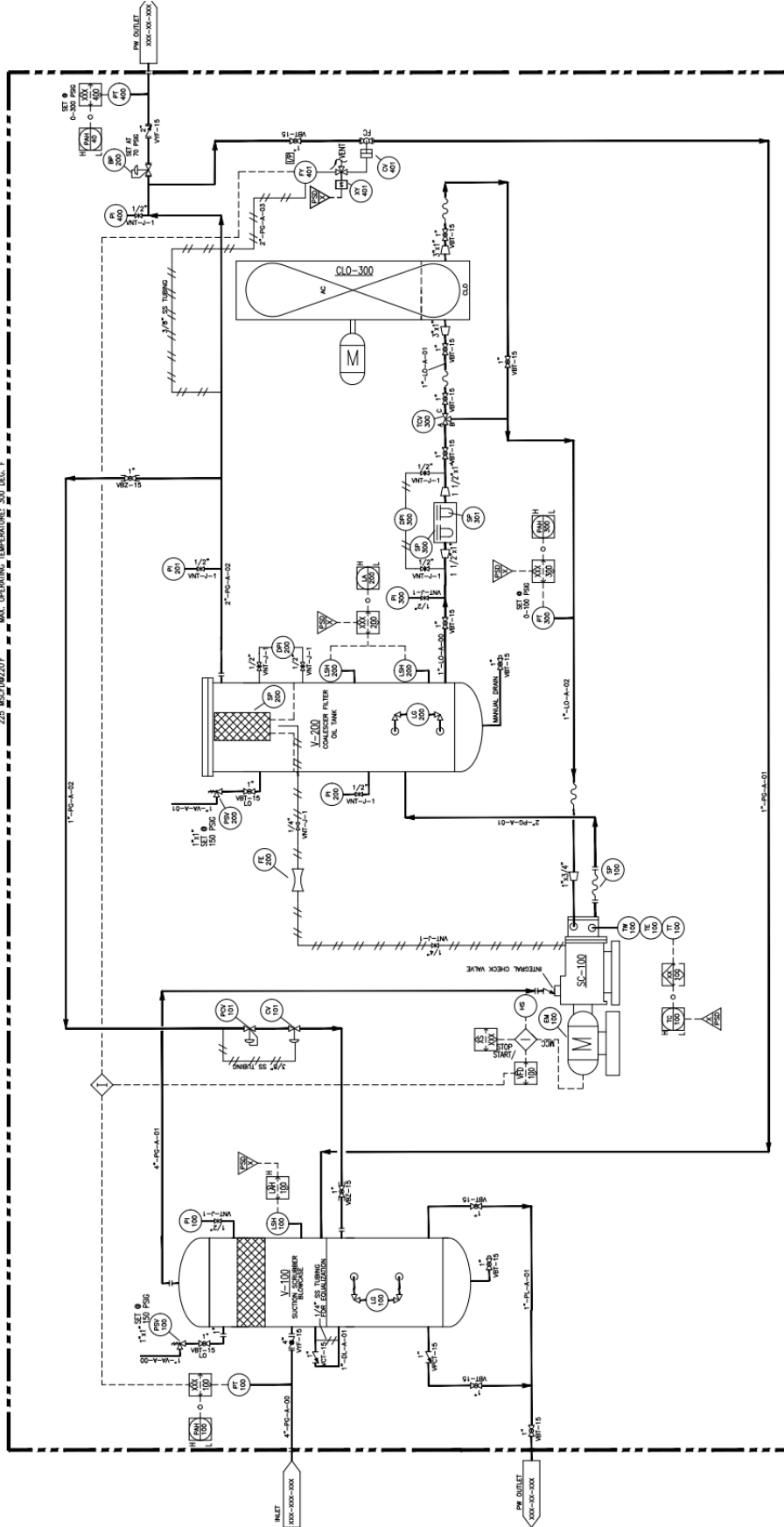
Control Panel/Wiring	
Type:	Nema 3R panel
Constant Torque VFD w/ Line reactor, main circuit breaker w/disconnect, surge protector.	
Standard Cimarron Operating System, SCADA ready, 7" touchscreen, speed control, and 12"x12" access panel.	
12" x 12" x 6" J-box for removable control panel option to meet specific area classifications if required.	
Program change to except remote monitoring, discharge temperature safety and cooler control.	
Unit is equipped with a Turck cabling system (w/single home run cable).	

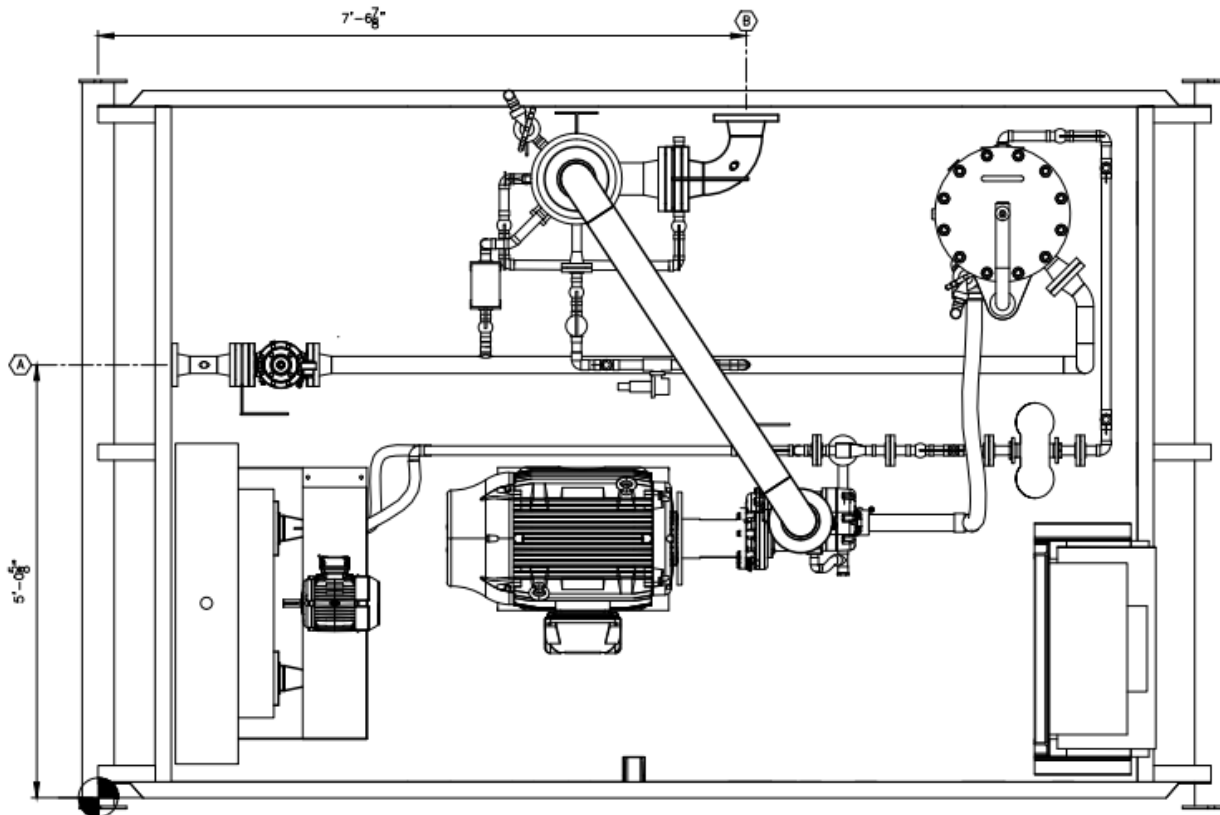
**Note:** Locate panel should be moved if in hazardous area, to safe location.

Other Options	Scope
Data Logger	Included
8GB Microcard	Included
30' Home Run Turck Cable	Included

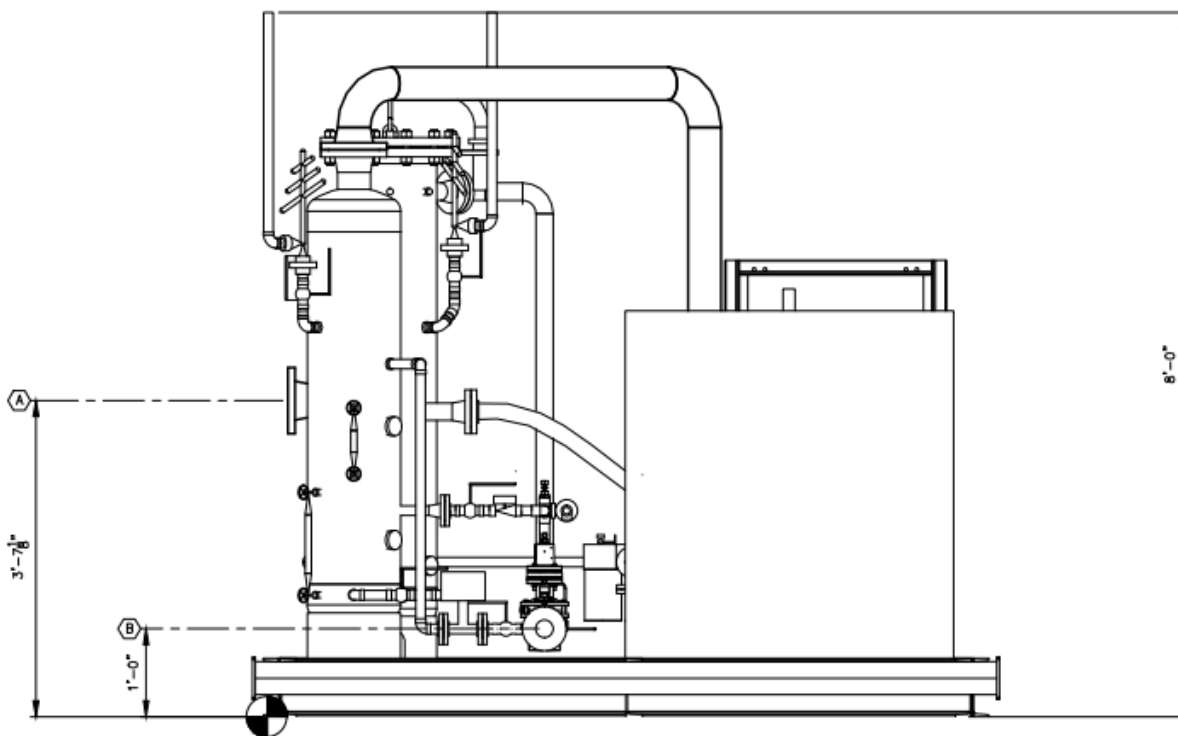
Valves/End Devices	
• (1) RTD w/Thermowell	
• (1) Murphy Discharge Pressure transmitter	
• (1) Murphy Oil Pressure Transmitter	
• (1) 1" Three way thermostatic valve	

- FE-200 FLOW INDICATOR  
SURE FLOW
- EM-100 60HP, 3600 RPM  
TEFC 3/60/460
- V-100 VERTICAL SUCTION SCRUBBER / BLOWCASE  
SIZE: 12.75" O.D. X 4'-0" S/S  
OPERATING: 10 PSIG @ 290° F  
DESIGN: 230 PSIG @ 290° F
- V-200 VERTICAL COALESCE FILTER/OIL TANK  
SIZE: 12.75" O.D. X 5'-0" S/S  
OPERATING: 100 PSIG @ 290° F  
DESIGN: 230 PSIG @ 290° F
- SC-100 COMPRESSOR  
MODULE: SC010-2.5 GEAR RATIO  
MANUFACTURE: AMERICAN INDUSTRIALS  
DESIGN: 100 PSIG @ 290° F  
MAX. OPERATING TEMPERATURE: 300 DEG. F
- C-300 COOLER  
MODULE: ECO-375-6P-1  
MANUFACTURE: AMERICAN INDUSTRIALS  
DESIGN: 100 PSIG @ 290° F  
MAX. OPERATING TEMPERATURE: 300 DEG. F
- SP-300 ZINCA DUAL FILTER ZDE 2215  
W/ (2) BLOWN FILTERS 287





PLAN VIEW



LEFT VIEW